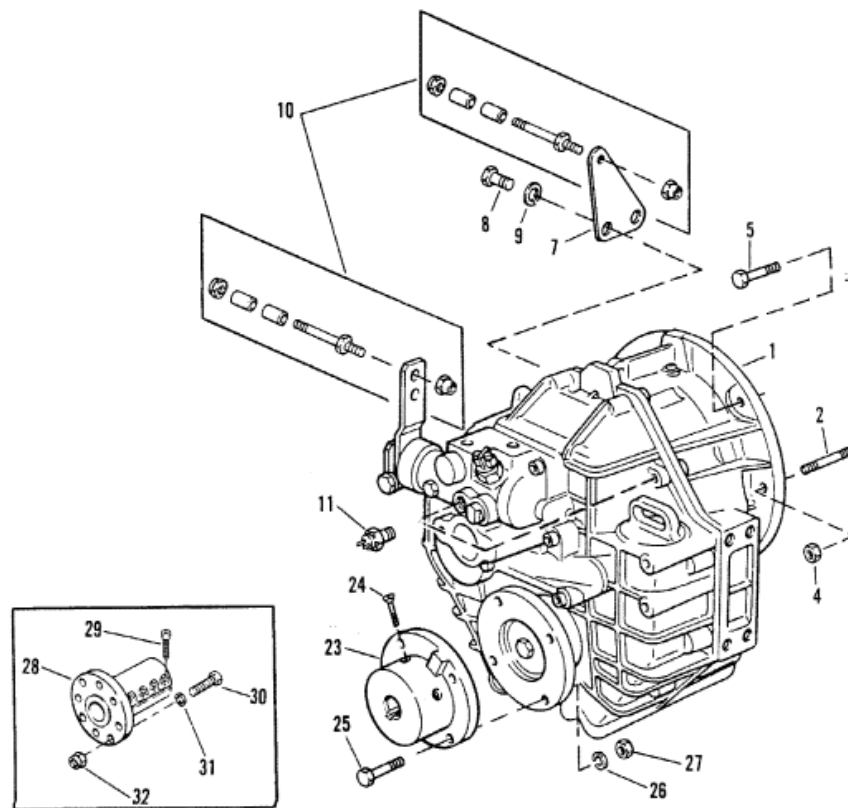


### TRANSMISSION AND RELATED PARTS



Parts List						
Ref	Class	Part	Description	Qty	Comment	Footnote
1		18900A	TRANSMISSION (1.5:1 RATIO) (D	1		
1		18901A	TRANSMISSION (2.0:1 RATIO) (D	1		
1		18902A	TRANSMISSION (2.5:1 RATIO) (D	1		
1		814437A	TRANSMISSION (1.5:1 RATIO) (V-	1		
1		814438A	TRANSMISSION (2.0:1 RATIO) (V-	1		
1		814439A	TRANSMISSION (2.5:1 RATIO) (V-	1		
2	16	91000	STUD	2		
4	11	809922113	NUT	2		
5	10	809913837	SCREW	4		
7		816699	BRACKET	1		
8	10	809919969	SCREW	2		
9	13	809930840	LOCKWASHER	2		
10	16	97477A	STUD KIT	2		
11	87	813708	TEMPERATURE SWITCH	1		
23		79476A	FLANGE ASSEMBLY (1") (USE W/ OPT.	4		4
23		79476A	FLANGE ASSEMBLY (1-1/8") (USE OPT.	4		4
23		79476A	FLANGE ASSEMBLY (1-1/4") (US OPT.	4		4
23		79476A	FLANGE ASSEMBLY (1-3/8") (USE OPT.	4		4
23		79476A	FLANGE ASSEMBLY (1-1/2") (US OPT.	4		4
23		79476A	FLANGE ASSEMBLY (1-3/4") (USE OPT.	4		4
23		79476A	FLANGE ASSEMBLY (2") (USE W OPT.	4		4
24	10	60171	SCREW (1-1/4") (USE WITH EN 2			
24	10	60169	SCREW (3/4") (USE WITH ENG 2			
25	10	52498	SCREW (1-1/2") (USE WITH EN 4			
26	13	32993	LOCKWASHER (USE WITH EN 4			
27	11	22024	NUT (USE WITH ENGLISH SH/ 4			
28		19559A	FLANGE (30MM) (USE WITH MET OPT.	4		4
28		19560A	FLANGE (35MM) (USE WITH MET OPT.	4		4
28		19561A	FLANGE (40MM) (USE WITH MET OPT.	4		4
28		19562A	FLANGE (45MM) (USE WITH MET OPT.	4		4
29	10	40076	SCREW (USE WITH METRIC S 8			
30	10	40001260	SCREW (USE WITH METRIC S 8			
31	13	40024	LOCKWASHER (USE WITH ME 8			
32	11	40020	NUT (USE WITH METRIC SHAF 8			